



Vestil Manufacturing Corp.
 2999 North Wayne Street, P.O. Box 507, Angola, IN 46703
 Telephone: (260) 665-7586 -or- Toll Free (800) 348-0868
 Fax: (260) 665-1339
<http://www.vestilmfg.com/> e-mail: info@vestil.com

Alternating Tread Cross-Over Ladders: COLA Instruction Manual



Photo of model COLA-5-56-20

Receiving instructions:

After delivery, remove the packaging from the product. Inspect the product closely to determine whether it sustained damage during transport. If damage is discovered, record a complete description of it on the bill of lading. If the product is undamaged, discard the packaging.

NOTE:

The end-user is solely responsible for confirming that product design, use, and maintenance comply with laws, regulations, codes, and mandatory standards applied where the product is used.

Replacement Parts and Technical Assistance:

If you have questions that are not addressed in these instructions and to order replacement parts, labels, and accessories, call (260) 665-7586 and ask for the Service and Parts Department. The department can also be contacted online at http://www.vestilmfg.com/parts_info.htm.

Table of Contents

Signal Words.....	2
Hazards.....	2
Assembling the Ladder.....	3, 4, 5
Record of Satisfactory Condition.....	5
Inspections and Maintenance.....	5
Exploded View, Bill of Materials, & Specifications: COLA-2.....	6, 7
Exploded View, Bill of Materials, & Specifications: COLA-3.....	8, 9
Exploded View, Bill of Materials, & Specifications: COLA-4.....	10, 11
Exploded View, Bill of Materials, & Specifications: COLA-5.....	12, 13
Exploded View, Bill of Materials, & Specifications: COLA-6.....	14, 15
Exploded View, Bill of Materials, & Specifications: COLA-7.....	16, 17
Labeling Diagram.....	18
Limited Warranty.....	19

SIGNAL WORDS

This manual uses SIGNAL WORDS to direct the reader's attention to important safety-related messages. These messages describe uses of the product that could result in personal injury or property damage. Each signal word corresponds to a specific hazard level. The following are definitions of signal words that might appear in this manual.



Identifies a hazardous situation which, if not avoided, WILL result in DEATH or SERIOUS INJURY. Use of this signal word is limited to the most extreme situations.



Identifies a hazardous situation which, if not avoided, COULD result in DEATH or SERIOUS INJURY.



Indicates a hazardous situation which, if not avoided, COULD result in MINOR or MODERATE injury.



Identifies practices likely to result in product/property damage, such as operation that might damage the product.

HAZARDS

Vestil strives to identify all foreseeable hazards associated with the use of its products. However, material handling is dangerous and no manual can address every risk. Ultimately, the most effective way to prevent injury is for persons who use this ladder to apply sound judgment whenever using this device.



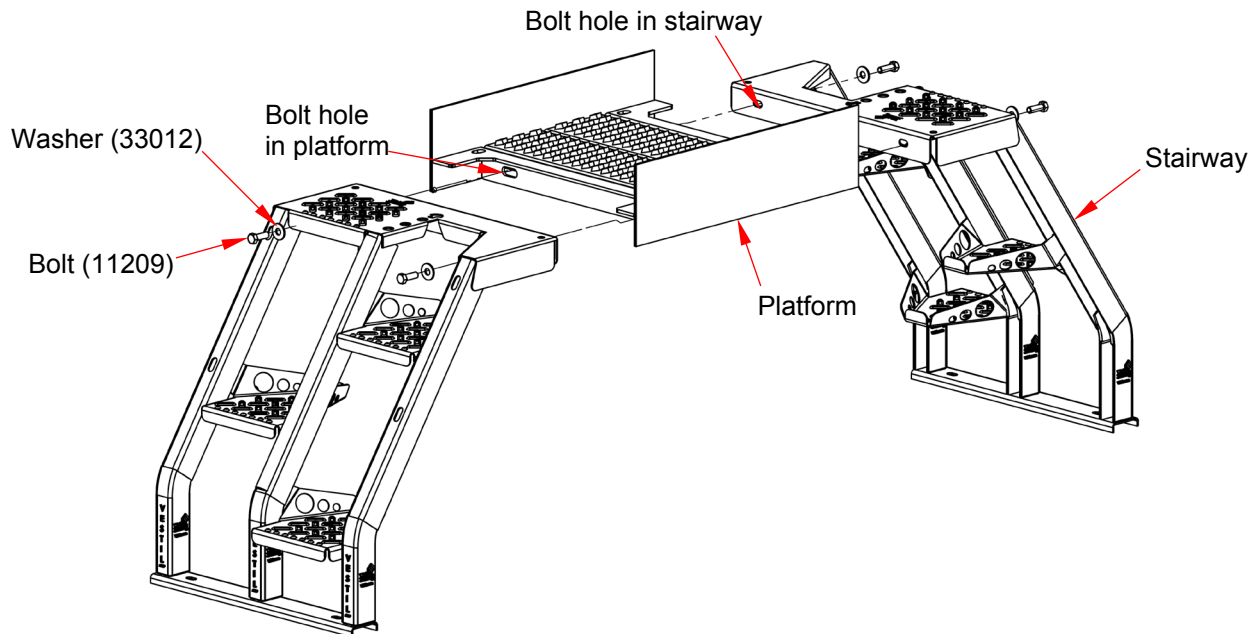
Improper or careless operation of this device might result in serious personal injuries.

- **Read and understand this entire manual before installing, assembling, using or servicing this ladder.** Keep this manual in a location known to persons who use the ladder. Read the manual whenever necessary to refresh your understanding of proper use, inspection, and maintenance procedures.
- DO NOT exceed the 350 pound (159.1kg) capacity. The total weight applied to the ladder (weight of the user plus tools, etc.) must not be greater than 350 pounds.
- DO NOT install the ladder on uneven or unstable surfaces. ONLY install the ladder on level, even surfaces. Install the ladder in a location where users cannot contact overhead objects. In particular, there must be no possibility of users contacting electrical wiring.
- DO NOT use the ladder if you tire quickly or easily, or if you have experienced fainting spells. DO NOT use the ladder if you are under the influence of alcohol, medication, or other substances that affects your balance or coordination. Only use the ladder if you are in good health.
- Make sure that you will not contact overhead objects with your body during use.
- Inspect the truck as directed in [Inspections and Maintenance](#) on page 5. DO NOT use the device unless it is in *satisfactory condition*. See [Record of Satisfactory Condition](#) on p. 5.
- Always unload the ladder before leaving it unattended.
- Remove foreign matter, like mud, oil, and grease, from your shoes before walking on the ladder.
- ALWAYS face the stairs and use the handrails while ascending and descending the steps.
- DO NOT increase the height of the platform, or a step, by standing on other objects placed on the ladder. For instance, do not use a step stool on the ladder platform.
- Children must not play on the ladder. Apply measure to prevent access to the ladder by children.
- Inspect the ladder as described in [Inspections & Maintenance](#) on p. 5. DO NOT use the ladder unless it is in normal condition. ONLY use manufacturer-approved replacement parts if repairs are necessary.
- DO NOT use the ladder if either mounting plate (at the base of each stairway) is significantly worn. See applicable *Exploded View* on page #, #, #, or #. The ladder should be rigidly fastened to the floor. It should not wobble to any degree.
- DO NOT store items on the ladder. Only use this product as it is intended, i.e. as a pedestrian walkway.
- DO NOT lean, or reach, over the sides of the ladder. Always keep your center of gravity (belly button) between the handrails.
- DO NOT use this product UNLESS every label shown in the [Labeling diagram](#) on p. 18 is in place, undamaged, and easily readable.
- DO NOT modify the ladder in any way without express, written approval from Vestil. Unapproved modifications automatically void the [Limited Warranty](#) on p. 19 and might make the product unsafe to use.

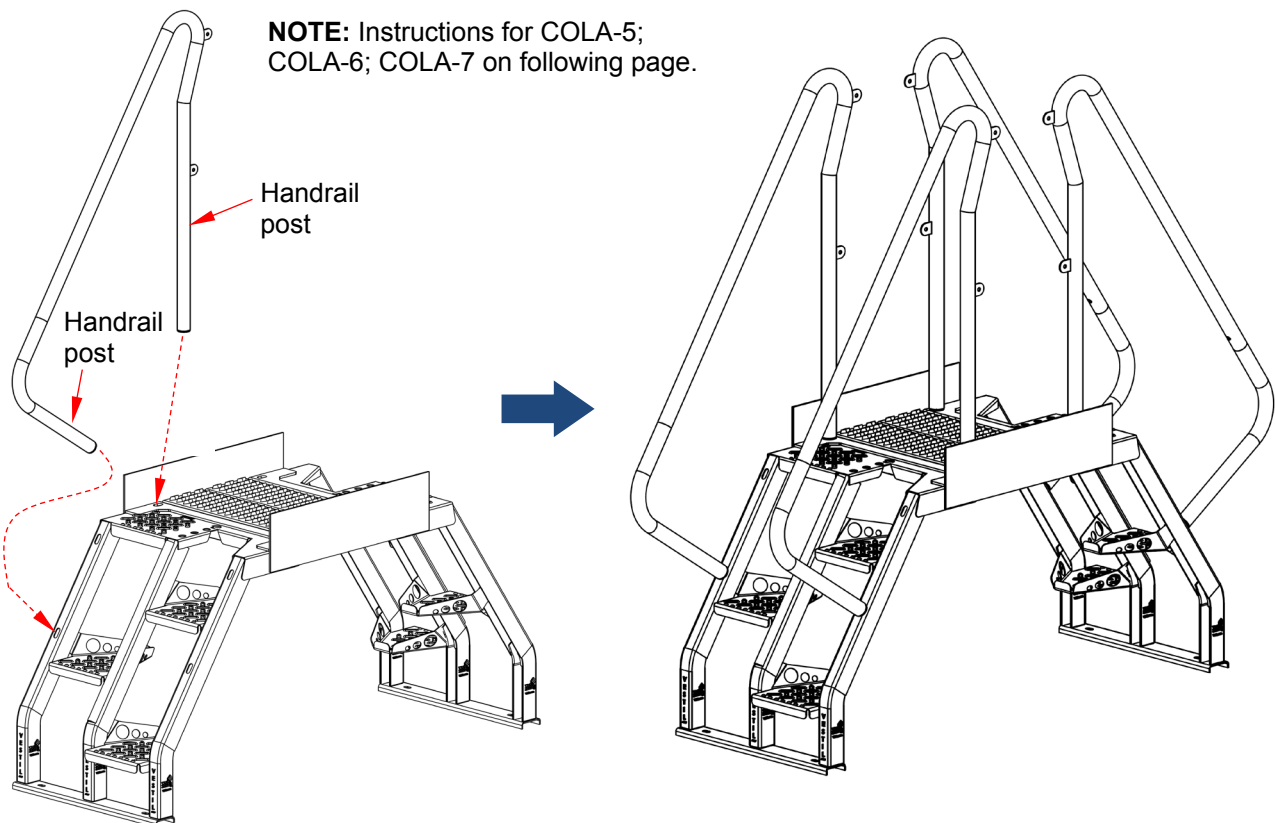
ASSEMBLING THE LADDER

This crossover ladder is shipped in a disassembled state. Fasten each of the stairway segments to the platform/deck before installing the handrails. When assembly is finished, anchor the ladder to the ground. Numbers in parentheses correspond to part numbers in the exploded views on pages 6, 8, 10, 12, 14, and 16.

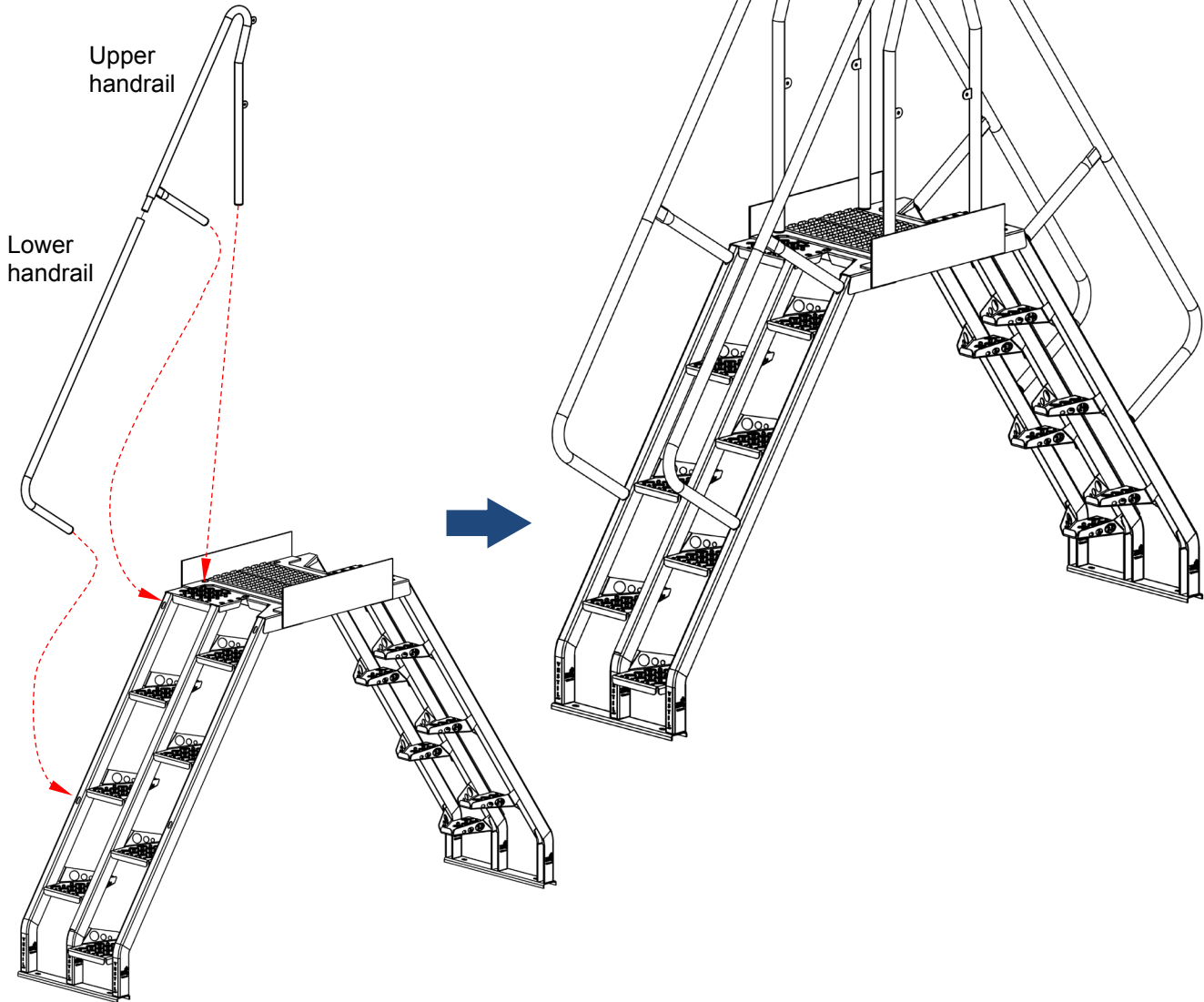
STEP 1: Attach the stairways to the platform/deck with $\frac{1}{2}$ "-13 hardware. There are 2 bolt holes at the top of each stairway and 2 bolt holes on each side of the platform. Put a flat washer (33012) onto 4 bolts (11209). Insert the bolts through the bolt holes at the top of the stairways and through the matching holes in the platform. Then apply another flat washer (33012) and a lock nut (37030) to the end of each bolt. Tighten the lock nuts.



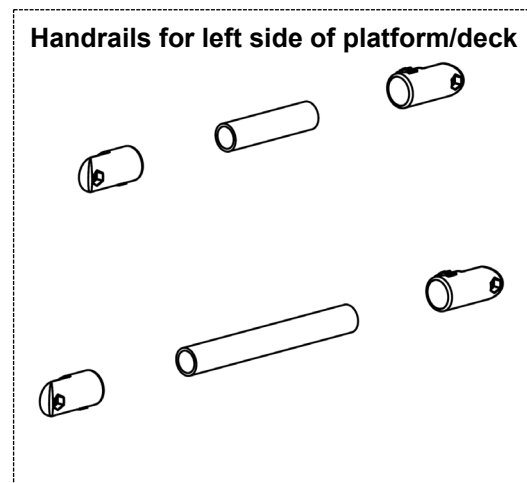
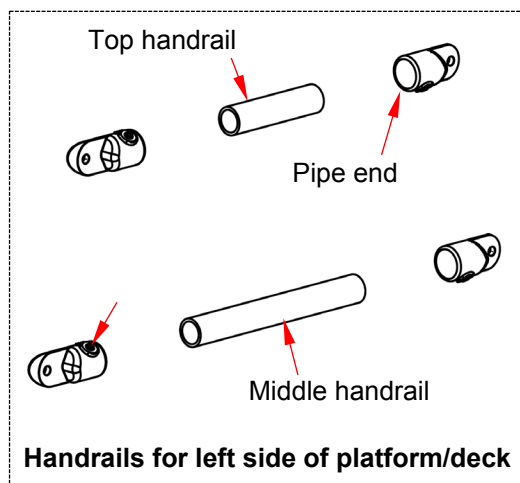
STEP 2: Attach upper handrails to the stairways with bolts (11205), lock washers (33625), and flat washers (33011). Put a lock washer and then a flat washer on each of 4 bolts. Insert the bolts through the bolt holes and wind then into the bottoms of handrail posts. Tighten the connections.



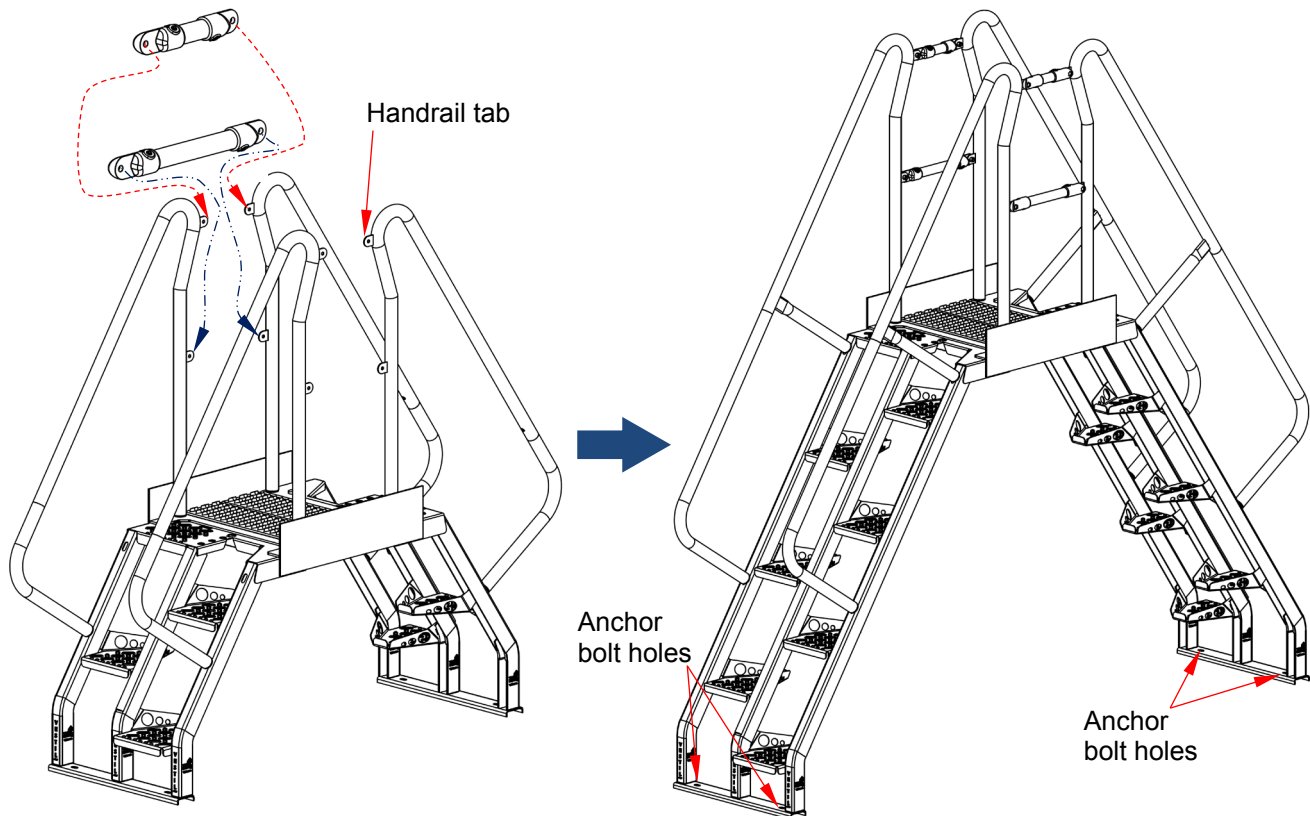
STEP 2: COLA-5, COLA-6, and COLA-7 models have upper and lower handrails. Before making the attachments shown in this diagram, slide a lower handrail onto the tapered end of the upper handrail.



STEP 3: Press a handrail coupler ("pipe end" 44-516-016) onto each end of the top and middle handrails. Tighten the $\frac{3}{8}$ "-16x $\frac{3}{8}$ " hex socket set screw in each coupler against the (top or middle) rail with a $\frac{3}{8}$ " Allen wrench.



STEP 4: Attach the top and middle handrail assemblies to the upper handrails with $\frac{3}{8}$ "-16 hardware (11105 & 37024). The handrail couplers attach to the outsides of the handrail tabs.



STEP 5: Anchor the unit to the ground with $\frac{1}{2}$ " anchor bolts. Your building engineer should determine the necessary length of the bolts. Mark the floor with the locations of the anchor bolt holes in the mounting plates. Then install the anchors and solidly fasten the ladder to the ground.

RECORD OF SATISFACTORY CONDITION:

After assembling and installing the crossover ladder, and before using it for the first time, make a record describing its appearance. Thoroughly photograph the unit from multiple angles including all anchor points and all labeling applied to it. Describe where each label is located. Collate all photographs and writings into a file. Mark the file appropriately to identify it. This record documents **satisfactory condition**. Compare the results of all inspections to this record to determine if the unit is in satisfactory condition. Do not use it unless it is in satisfactory condition. Purely cosmetic changes, like damaged paint/powder coat do not constitute changes from satisfactory condition. However, touchup paint should be applied to all affected areas as soon as damage occurs.

INSPECTIONS AND MAINTENANCE

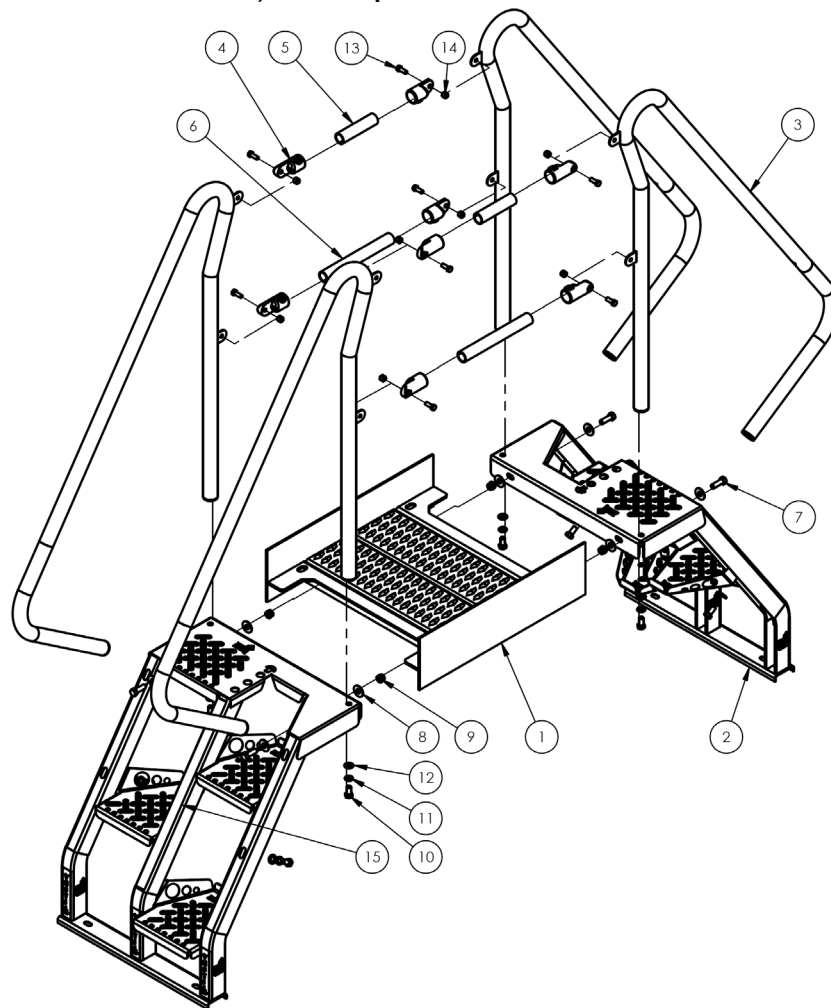
Proper maintenance is essential for maximizing the service life of the unit. If an inspection reveals any irregularities in the condition of the unit, repair it before returning it to service. Only use manufacturer-approved replacement parts. Contact **Technical Service** if you have questions that are not addressed in these instructions or if you are uncertain how to address an issue discovered during an inspection. Technical Service can be contacted by calling (260) 665-7586 and asking for the Service and Parts Department or by submitting questions online at http://www.vestilmfg.com/parts_info.htm.

Inspect and maintain the following components at least once per month as described:

1. **Stairway:** Examine the stairway for damage such as cracked metal, cracked welds, broken rungs, severe rusting or corrosion. Repair damaged welds. Appropriately patch damaged metal. Closely examine the mounting plates and anchor points, since they are in direct contact with the ground. Make sure that all anchor bolts are tightly fastened to the ground. Gently remove rust/corrosion and clean the affected areas. Apply touchup paint to the areas as soon as they dry. Periodically clean dirt and debris from all surfaces—especially steps—to keep the finish in good condition. Slippery substances, such as grease and oil, must be cleaned from the steps as soon as contact occurs. Apply touchup paint to all areas where the finish is damaged.
2. **Handrails:** Inspect the handrails for punctures, bends, cracks, and other damage. Closely examine all hardware (bolts, nuts, washers). Tighten loose connections. Replace damaged hardware.
3. **Labeling:** Make sure all labels are in place & in easily readable condition. See **Labeling diagram** on p. 18.

Exploded View, Bill of Materials, and Specifications: COLA-2-##-## Models

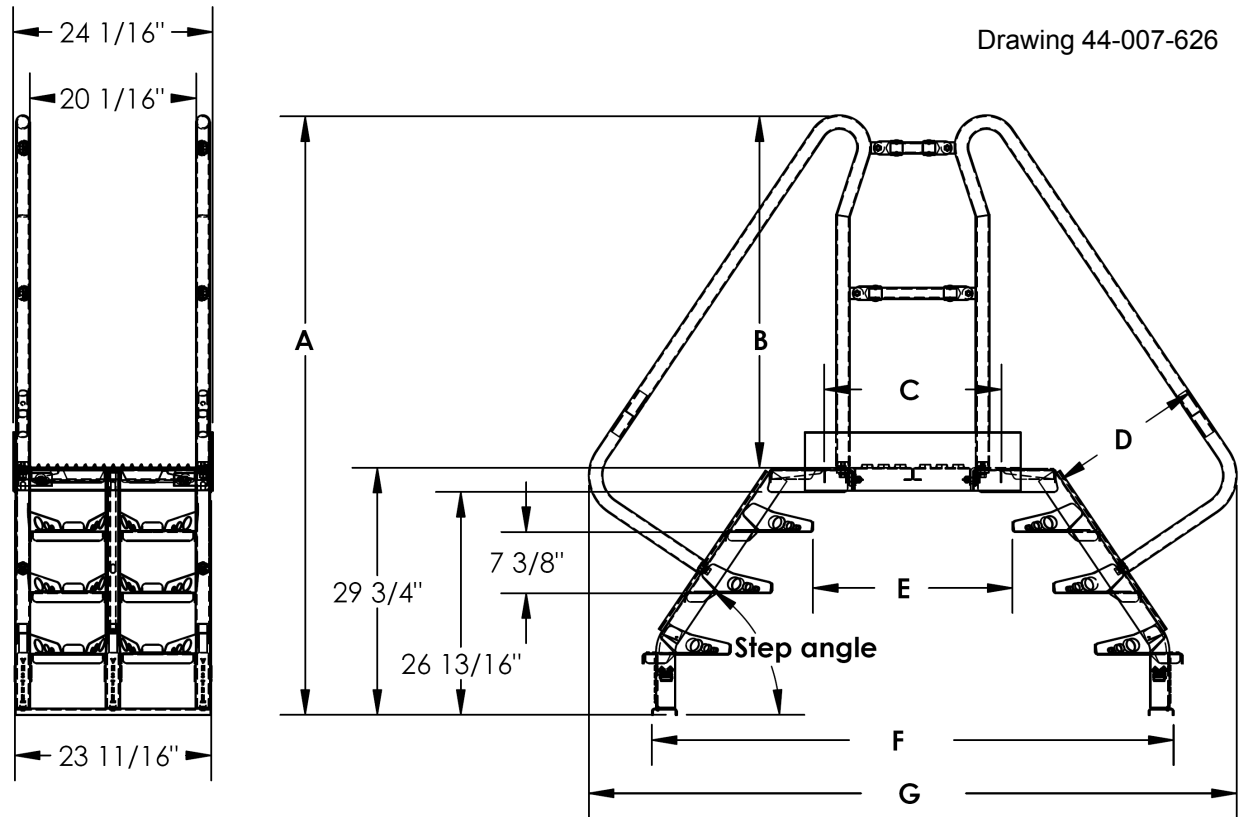
44-006-626



Item	Part no.	Description	Qty.	Item	Part no.	Description	Qty.														
1	44-513-026	Weldment, deck, platform: COLA-2-56-20; COLA-2-68-20	1	6	44-024-288	Guard, middle handrail: COLA-2-56-20; COLA-2-68-20	2														
	44-513-027		1		44-024-289		2														
	44-513-028		1		44-024-290		2														
	44-513-029		1		44-024-291		2														
2	44-514-420	Weldment, frame, steps (stairway) COLA-2-56-20; COLA-2-56-32	2	7	11209	Bolt, HHCS, ASTM A307, gr. A, z-plated, 1/2"-13 x 1 1/2"	4														
	44-514-420		2																		
	44-514-421		2																		
	44-514-421		2																		
3	44-524-181	Weldment, guard, upper handrail: COLA-2-56-20; COLA-2-56-32	4	8	33012	Flat washer, low carbon, z-finish, 1/2"	8														
	44-524-181		4																		
	44-524-183		4																		
	44-524-183		4																		
4	44-516-016	Assembly, handrail, pipe end	8	9	37030	Lock nut, Nylon insert, 1/2"-13	4														
	5	Guard, top handrail: COLA-2-56-20	2				10	11205	Hex bolt, gr. A, z-plated, 1/2"-13x1"	8											
2			11	33625	Lock washer, medium split, plain, 1/2"	8															
2						12				33011	Flat washer, USS, plain, 1/2"	8									
2												13	11105	Hex bolt, gr. A, z-plated, 3/8"-16x1"	8						
2															14	37024	Nylon insert lock nut, gr. 2, z-finish, 3/8"-16	8			
2																		15	44-024-124	Guard, bumper, adhesive backed	2
2																					
2																					
2																					
2																					
2																					
2																					

Specifications: COLA-2-##-##

Dimensions, step angle, and net weight for each model beginning with COLA-2 are provided in the following diagrams and table. **The capacity of all models is 350 pounds (159.1kg).**

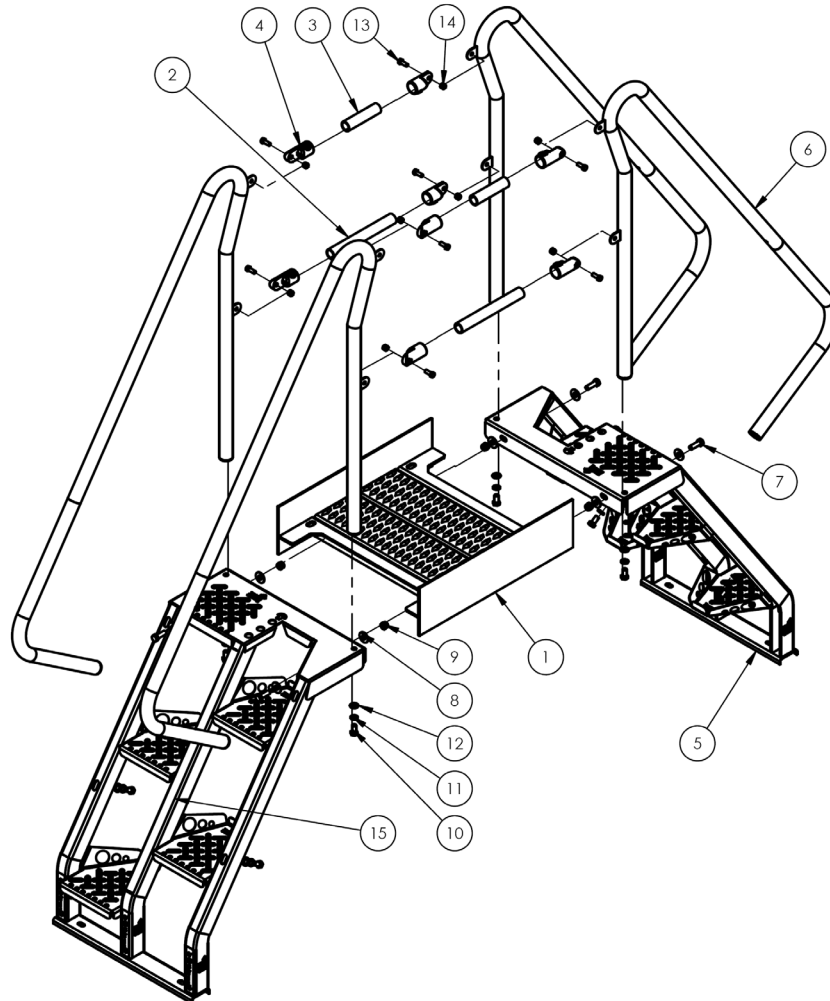


Drawing 44-007-626

Model	A	B	C	D	E	F	G	Step angle	Net weight
COLA-2-56-20	72" 182.9cm	42 ⁵ / ₁₆ " 107.5cm	21 ³ / ₈ " 54.3cm	18 ³ / ₄ " 47.6cm	24" 61.0cm	62 ⁷ / ₈ " 159.7cm	78 ¹ / ₈ " 198.4cm	56° 0.95rad.	257 lb. 116.8 kg
COLA-2-56-32	72 ¹ / ₄ " 183.5cm	42 ⁷ / ₁₆ " 107.8cm	28 ³ / ₈ " 72.1cm	18 ³ / ₄ " 47.6cm	31" 78.7cm	69 ⁷ / ₈ " 177.5cm	85 ¹ / ₄ " 216.5cm	56° 0.95rad.	274 lb. 124.5 kg
COLA-2-56-44	72 ³ / ₁₆ " 183.4cm	42 ⁷ / ₁₆ " 107.8cm	35 ³ / ₈ " 89.9cm	18 ³ / ₄ " 47.6cm	38" 96.5cm	76 ⁷ / ₈ " 195.3cm	92 ¹ / ₈ " 234.0cm	56° 0.95rad.	292 lb. 132.7 kg
COLA-2-56-56	72 ¹ / ₄ " 183.5cm	42 ⁷ / ₁₆ " 107.8cm	49 ³ / ₈ " 125.4cm	18 ³ / ₄ " 47.6cm	52" 132.1cm	90 ⁷ / ₈ " 230.8cm	106 ¹ / ₈ " 269.6cm	56° 0.95rad.	327 lb. 148.6 kg
COLA-2-68-20	71 ⁵ / ₈ " 181.9cm	41 ⁷ / ₈ " 106.4cm	21 ³ / ₈ " 54.3cm	12 ³ / ₈ " 31.4cm	19 ¹³ / ₁₆ " 50.3cm	52 ¹ / ₄ " 132.7cm	65 ¹ / ₄ " 165.7cm	68° 1.16rad.	251 lb. 114.1 kg
COLA-2-68-32	71 ⁵ / ₈ " 181.9cm	41 ⁷ / ₈ " 106.4cm	28 ³ / ₈ " 72.1cm	12 ¹¹ / ₃₂ " 31.4cm	26 ¹³ / ₁₆ " 68.1cm	59 ¹ / ₄ " 150.5cm	72 ¹ / ₄ " 183.5cm	68° 1.16rad.	269 lb. 122.3 kg
COLA-2-68-44	71 ⁵ / ₈ " 181.9cm	41 ⁷ / ₈ " 106.4cm	35 ³ / ₈ " 89.9cm	12 ¹¹ / ₃₂ " 31.4cm	33 ¹³ / ₁₆ " 85.9cm	66 ¹ / ₄ " 168.3cm	79 ¹ / ₄ " 201.3cm	68° 1.16rad.	286 lb. 130 kg
COLA-2-68-56	71 ⁵ / ₈ " 181.9cm	41 ⁷ / ₈ " 106.4cm	49 ³ / ₈ " 125.4cm	12 ¹¹ / ₃₂ " 31.4cm	47 ¹³ / ₁₆ " 121.4cm	80 ¹ / ₄ " 203.8cm	93 ¹ / ₄ " 236.9cm	68° 1.16rad.	322 lb. 146.4 kg

Exploded View, Bill of Materials, and Specifications: COLA-3-##-## Models

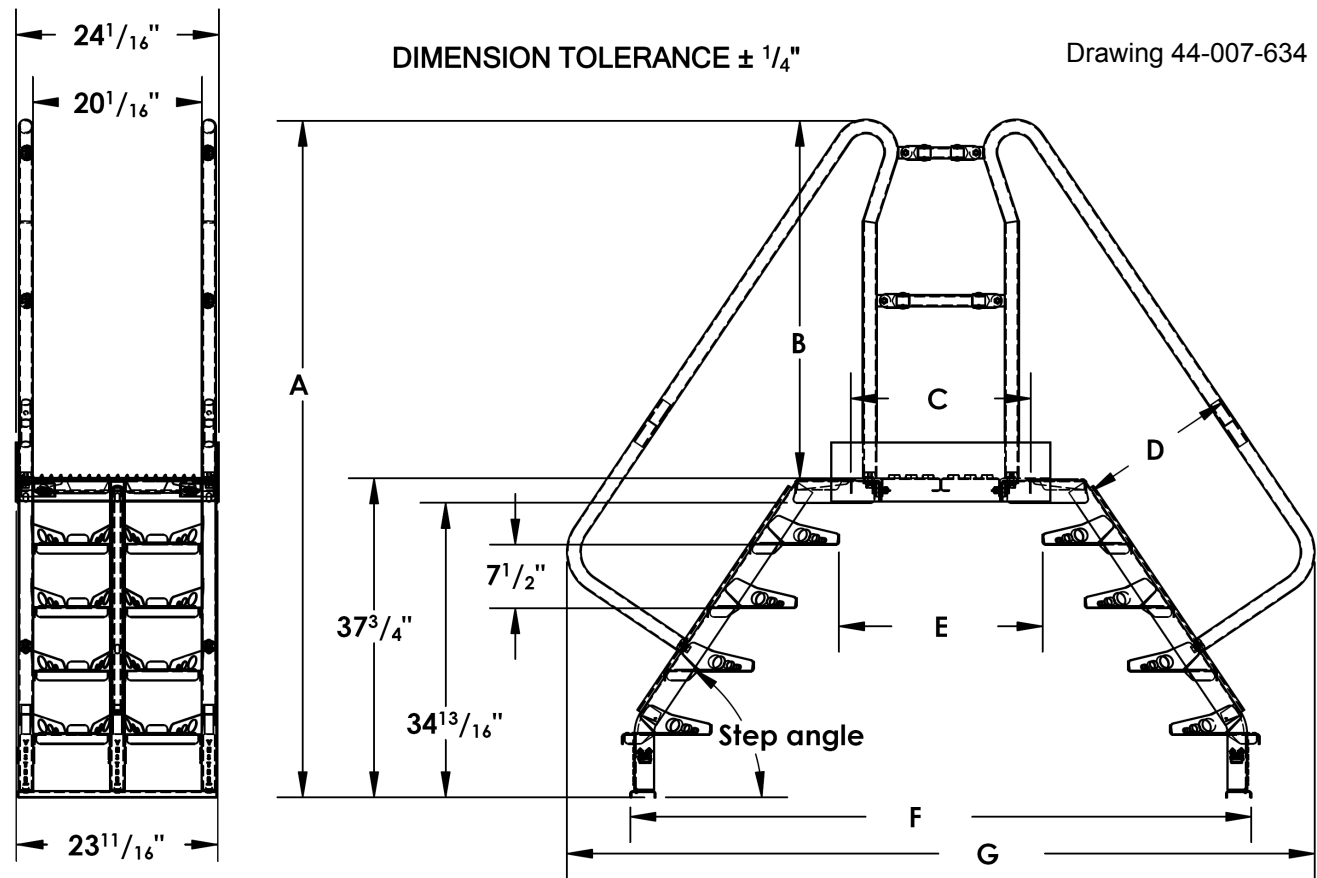
44-006-634



Item	Part no.	Description	Qty.	Item	Part no.	Description	Qty.					
1	44-513-026	Weldment, deck, platform: COLA-3-56-20; COLA-3-68-20	1	6	44-524-182	Weldment, guard, upper handrail: COLA-3-56-20; COLA-3-56-32	4					
	44-513-027	COLA-3-56-32; COLA-3-68-32	1		44-524-182	COLA-3-56-44; COLA-3-56-56	4					
	44-513-028	COLA-3-56-44; COLA-3-68-44	1		44-524-183	COLA-3-68-20; COLA-3-68-32	4					
	44-513-029	COLA-3-56-56; COLA-3-68-56	1		44-524-183	COLA-3-68-44; COLA-3-68-56	4					
2	44-024-288	Guard, middle handrail: COLA-3-56-20; COLA-3-68-20	2	7	11209	Bolt, HHCS, ASTM A307, gr. A, z-plated, 1/2"-13 x 1 1/2"	4					
	44-024-289	COLA-3-56-32; COLA-3-68-20	2		8	33012	Flat washer, low carbon, z-finish, 1/2"	8				
	44-024-290	COLA-3-56-44; COLA-3-68-44	2			9	37030	Lock nut, Nylon insert, 1/2"-13	4			
	44-024-291	COLA-3-56-56; COLA-3-68-56	2				10	11205	Hex bolt, gr. A, z-plated, 1/2"-13x1"	8		
3	44-024-292	Guard, top handrail: COLA-3-56-20	2	11				33625	Lock washer, medium split, plain, 1/2"	8		
	44-024-293	COLA-3-56-32	2		12			33011	Flat washer, USS, plain, 1/2"	8		
	44-024-294	COLA-3-56-44	2			13		11105	Hex bolt, gr. A, z-plated, 3/8"-16x1"	8		
	44-024-295	COLA-3-56-56	2				14	37024	Nylon insert lock nut, gr. 2, z-finish, 3/8"-16	8		
	44-024-296	COLA-3-68-20	2					15	44-024-124	Guard, bumper, adhesive backed	2	
	44-024-297	COLA-3-68-20	2						4	44-516-016	Assembly, handrail, pipe end	8
	44-024-298	COLA-3-68-44	2							5	44-514-422	Weldment, frame, steps (stairway) COLA-3-56-20; COLA-3-56-32
44-024-299	COLA-3-68-56	2	44-514-422	COLA-3-56-44; COLA-3-56-56							2	
4	44-516-016	Assembly, handrail, pipe end	8	44-514-423	COLA-3-68-20; COLA-3-68-32						2	
				44-514-423	COLA-3-68-44; COLA-3-68-56	2						

Specifications: COLA-3-##-##

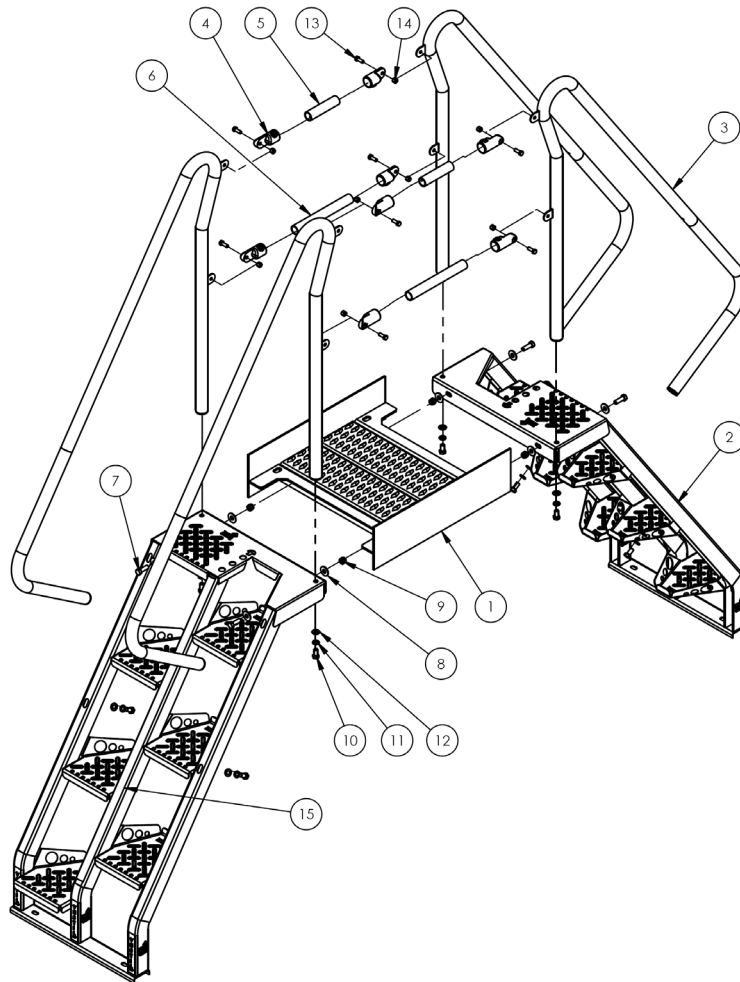
Dimensions, step angle, and net weight for each model beginning with COLA-2 are provided in the following diagrams and table. **The capacity of all models is 350 pounds (159.1kg).**



Model	A	B	C	D	E	F	G	Step angle	Net weight
COLA-3-56-20	80" 203.2cm	42 ⁵ / ₁₆ " 107.5cm	21 ³ / ₈ " 54.3cm	18 ³ / ₄ " 47.6cm	24 ¹ / ₈ " 61.3cm	73 ⁵ / ₈ " 187.0cm	88 ⁵ / ₈ " 225.1cm	56° 0.95rad.	282 lb. 128.2 kg
COLA-3-56-32	80 ¹ / ₄ " 203.8cm	42 ⁷ / ₁₆ " 107.8cm	28 ³ / ₈ " 72.1cm	18 ³ / ₄ " 47.6cm	31 ¹ / ₈ " 79.1cm	80 ⁵ / ₈ " 204.8cm	95 ⁵ / ₈ " 242.9cm	56° 0.95rad.	299 lb. 135.9 kg
COLA-3-56-44	80 ¹ / ₄ " 203.8cm	42 ⁷ / ₁₆ " 107.8cm	35 ³ / ₈ " 89.9cm	18 ³ / ₄ " 47.6cm	38 ¹ / ₈ " 96.8cm	87 ⁵ / ₈ " 222.6cm	102 ⁵ / ₈ " 260.7cm	56° 0.95rad.	317 lb. 144.1 kg
COLA-3-56-56	80 ¹ / ₄ " 203.8cm	42 ⁷ / ₁₆ " 107.8cm	49 ³ / ₈ " 125.4cm	18 ³ / ₄ " 47.6cm	52 ¹ / ₈ " 132.4cm	101 ⁵ / ₈ " 258.1cm	116 ⁵ / ₈ " 296.2cm	56° 0.95rad.	352 lb. 160 kg
COLA-3-68-20	79 ⁵ / ₈ " 202.2cm	41 ⁷ / ₈ " 106.4cm	21 ³ / ₈ " 54.3cm	12 ¹¹ / ₁₆ " 32.2cm	19 ¹⁵ / ₁₆ " 50.6cm	58 ³ / ₄ " 149.2cm	65 ¹ / ₄ " 165.7cm	68° 1.16rad.	269 lb. 122.3 kg
COLA-3-68-32	79 ⁵ / ₈ " 202.2cm	41 ⁷ / ₈ " 106.4cm	28 ³ / ₈ " 72.1cm	12 ¹¹ / ₃₂ " 31.4cm	26 ¹⁵ / ₁₆ " 68.4cm	65 ³ / ₄ " 167.0cm	72 ¹ / ₄ " 183.5cm	68° 1.16rad.	287 lb. 130.5 kg
COLA-3-68-44	79 ⁵ / ₈ " 202.2cm	41 ⁷ / ₈ " 106.4cm	35 ³ / ₈ " 89.9cm	12 ¹¹ / ₃₂ " 31.4cm	33 ¹⁵ / ₁₆ " 86.2cm	72 ³ / ₄ " 184.8cm	79 ¹ / ₄ " 201.3cm	68° 1.16rad.	304 lb. 138.2 kg
COLA-3-68-56	79 ⁵ / ₈ " 202.2cm	41 ⁷ / ₈ " 106.4cm	49 ³ / ₈ " 125.4cm	12 ¹¹ / ₃₂ " 31.4cm	47 ¹⁵ / ₁₆ " 121.8cm	86 ³ / ₄ " 220.3cm	93 ¹ / ₄ " 236.9cm	68° 1.16rad.	340 lb. 154.5 kg

Exploded View, Bill of Materials, and Specifications: COLA-4-##-## Models

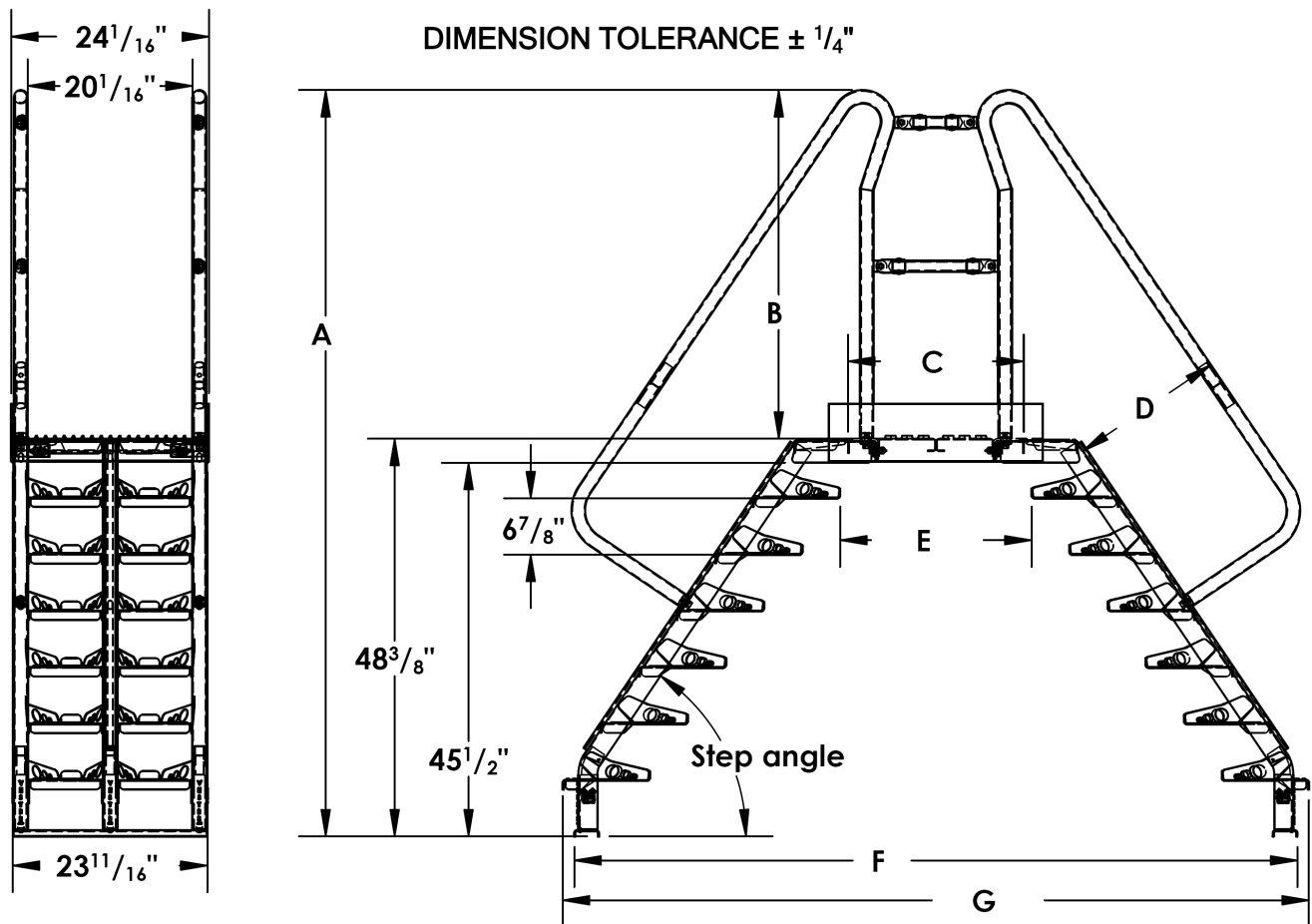
44-006-642



Item	Part no.	Description	Qty.	Item	Part no.	Description	Qty.					
1	44-513-026	Weldment, deck, platform: COLA-4-56-20; COLA-4-68-20	1	6	44-024-288	Guard, middle handrail: COLA-4-56-20; COLA-4-68-20	2					
	44-513-027		COLA-4-56-32; COLA-4-68-32		1		44-024-289	COLA-4-56-32; COLA-4-68-20	2			
	44-513-028		COLA-4-56-44; COLA-4-68-44		1		44-024-290	COLA-4-56-44; COLA-4-68-44	2			
	44-513-029		COLA-4-56-56; COLA-4-68-56		1		44-024-291	COLA-4-56-56; COLA-4-68-56	2			
2	44-514-218	Weldment, frame, steps (stairway) COLA-4-56-20; COLA-4-56-32	2	7	11209	Bolt, HHCS, ASTM A307, gr. A, z-plated, 1/2"-13 x 1 1/2"	4					
	44-514-218		COLA-4-56-44; COLA-4-56-56		2		8	33012	Flat washer, low carbon, z-finish, 1/2"	8		
	44-514-219		COLA-4-68-20; COLA-4-68-32		2			9		37030	Lock nut, Nylon insert, 1/2"-13	4
	44-514-219		COLA-4-68-44; COLA-4-68-56		2					10		11205
3	44-524-182	Weldment, guard, upper handrail: COLA-4-56-20; COLA-4-56-32	4	11	33625	Lock washer, medium split, plain, 1/2"		8				
	44-524-182		COLA-4-56-44; COLA-4-56-56		4		12	33011	Flat washer, USS, plain, 1/2"	8		
	44-524-183		COLA-4-68-20; COLA-4-68-32		4			13		11105	Hex bolt, gr. A, z-plated, 3/8"-16x1"	8
	44-524-183		COLA-4-68-44; COLA-4-68-56		4					14		37024
4	44-516-016	Assembly, handrail, pipe end	8	15	44-024-117	Guard, bumper, adhesive backed: COLA-4-56-20; COLA-4-56-32		2				
	5		Guard, top handrail: COLA-4-56-20		2		44-024-117	COLA-4-56-44; COLA-4-56-56	2			
2		44-024-124			COLA-4-68-20; COLA-4-68-32		2					
2		44-024-124			COLA-4-68-44; COLA-4-68-56		2					
2												
2												
2												

Specifications: COLA-4-##-##

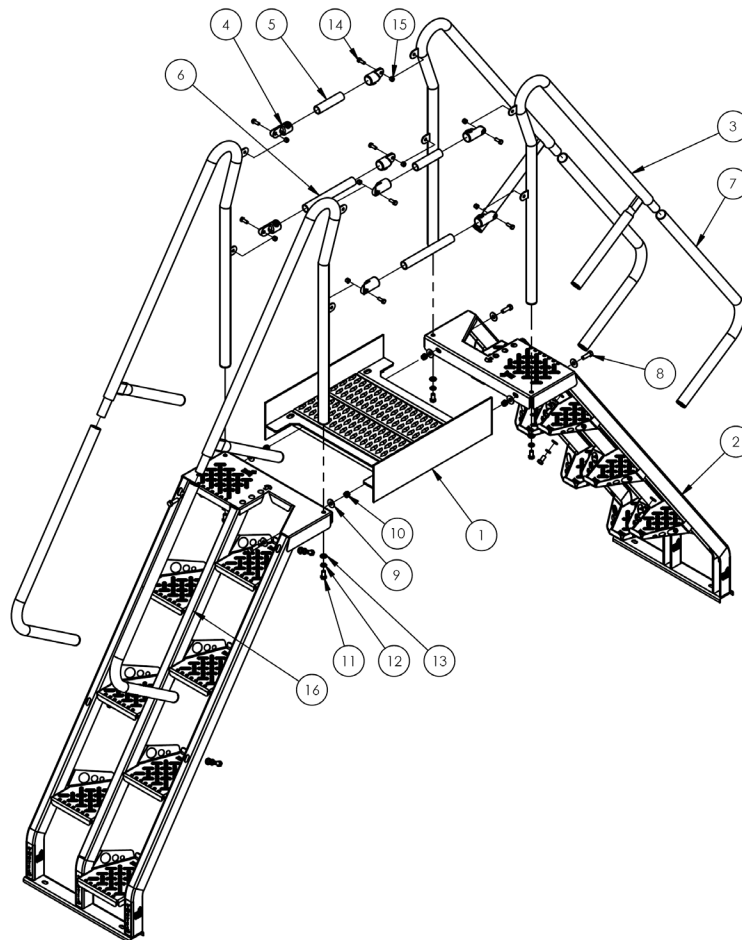
Dimensions, step angle, and net weight for each model beginning with COLA-2 are provided in the following diagrams and table. **The capacity of all models is 350 pounds (159.1kg).**



Model	A	B	C	D	E	F	G	Step angle	Net weight
COLA-4-56-20	90 ³ / ₄ " 230.5cm	42 ⁷ / ₁₆ " 107.8cm	21 ³ / ₈ " 54.3cm	18 ³ / ₄ " 47.6cm	23 ¹ / ₄ " 59.1cm	88" 223.5cm	90 ³ / ₄ " 230.5cm	56° 0.95rad.	312 lb. 141.8 kg
COLA-4-56-32	90 ³ / ₄ " 230.5cm	42 ⁷ / ₁₆ " 107.8cm	28 ³ / ₈ " 72.1cm	18 ³ / ₄ " 47.6cm	30 ¹ / ₄ " 76.8cm	95" 241.3cm	97 ³ / ₄ " 248.3cm	56° 0.95rad.	330 lb. 150 kg
COLA-4-56-44	90 ³ / ₄ " 230.5cm	42 ⁷ / ₁₆ " 107.8cm	35 ³ / ₈ " 89.9cm	18 ³ / ₄ " 47.6cm	37 ¹ / ₄ " 94.6cm	102" 259.1cm	104 ³ / ₄ " 260.7cm	56° 0.95rad.	347 lb. 157.7 kg
COLA-4-56-56	90 ³ / ₄ " 230.5cm	42 ⁷ / ₁₆ " 107.8cm	49 ³ / ₈ " 125.4cm	18 ³ / ₄ " 47.6cm	51 ¹ / ₄ " 130.2cm	116" 294.6cm	118 ³ / ₄ " 301.6cm	56° 0.95rad.	383 lb. 174.1 kg
COLA-4-68-20	90 ¹ / ₄ " 229.2cm	41 ⁷ / ₈ " 106.4cm	21 ³ / ₈ " 54.3cm	12 ³ / ₈ " 31.4cm	19 ¹ / ₂ " 49.5cm	67 ³ / ₈ " 171.1cm	68 ⁵ / ₁₆ " 173.5cm	68° 1.16rad.	298 lb. 135.5 kg
COLA-4-68-32	90 ¹ / ₄ " 229.2cm	41 ⁷ / ₈ " 106.4cm	28 ³ / ₈ " 72.1cm	12 ³ / ₈ " 31.4cm	26 ¹ / ₂ " 67.3cm	74 ³ / ₈ " 188.9cm	75 ⁵ / ₁₆ " 191.3cm	68° 1.16rad.	315 lb. 143.2 kg
COLA-4-68-44	90 ¹ / ₄ " 229.2cm	41 ⁷ / ₈ " 106.4cm	35 ³ / ₈ " 89.9cm	12 ³ / ₈ " 31.4cm	33 ¹ / ₂ " 85.1cm	81 ³ / ₈ " 206.7cm	82 ⁵ / ₁₆ " 209.1cm	68° 1.16rad.	333 lb. 151.4 kg
COLA-4-68-56	90 ¹ / ₄ " 229.2cm	41 ⁷ / ₈ " 106.4cm	49 ³ / ₈ " 125.4cm	12 ³ / ₈ " 31.4cm	47 ¹ / ₂ " 120.7cm	95 ³ / ₈ " 242.3cm	96 ⁵ / ₁₆ " 244.2cm	68° 1.16rad.	368 lb. 167.3 kg

Exploded View, Bill of Materials, and Specifications: COLA-5-##-## Models

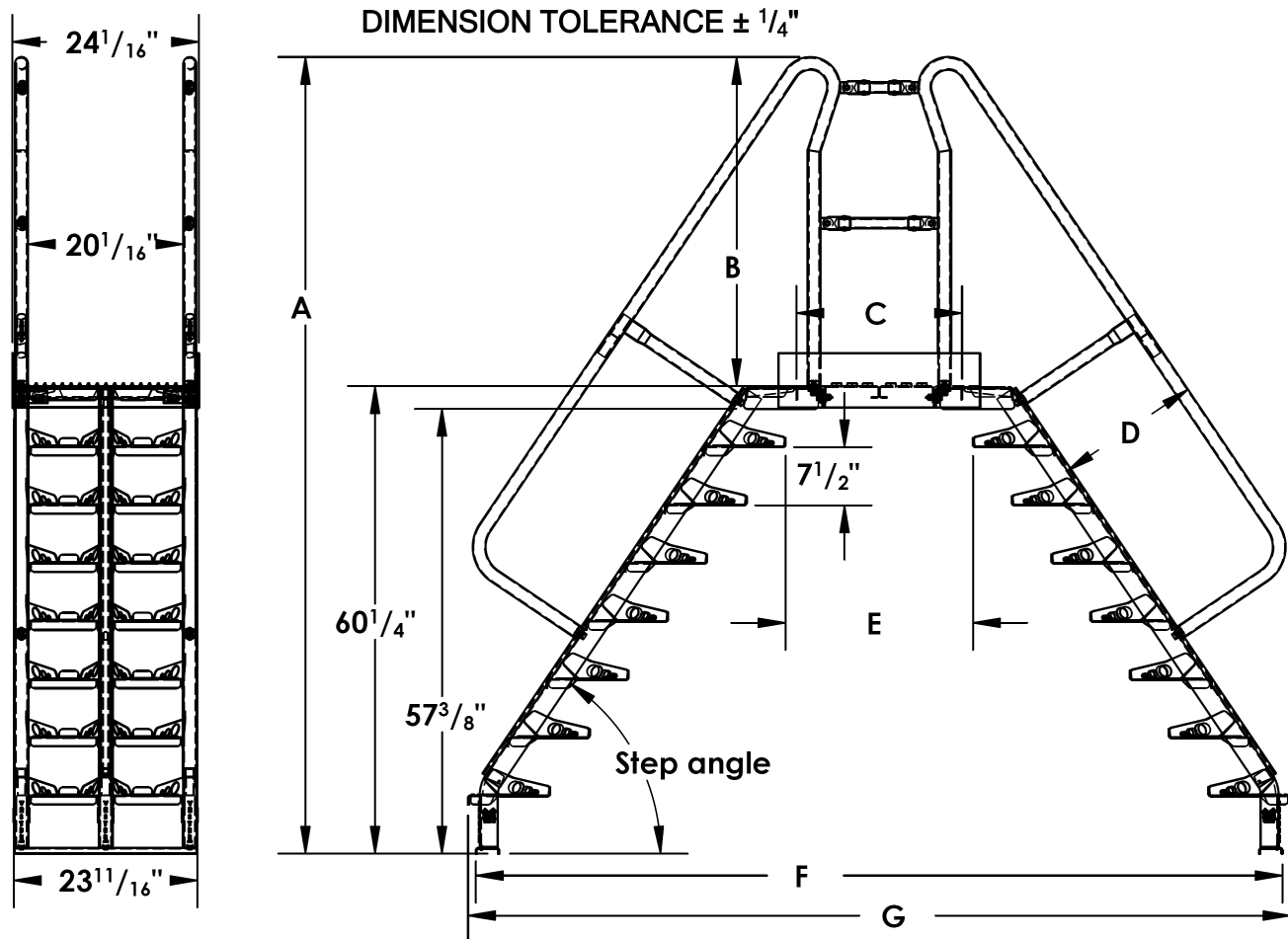
44-006-650



Item	Part no.	Description	Qty.	Item	Part no.	Description	Qty.
1	44-513-026	Weldment, deck, platform: COLA-5-56-20; COLA-5-68-20 COLA-5-56-32; COLA-5-68-32 COLA-5-56-44; COLA-5-68-44 COLA-5-56-56; COLA-5-68-56	1	6	44-024-288	Guard, middle handrail: COLA-5-56-20; COLA-5-68-20 COLA-5-56-32; COLA-5-68-20 COLA-5-56-44; COLA-5-68-44 COLA-5-56-56; COLA-5-68-56	2
	44-513-027		1		44-024-289		2
	44-513-028		1		44-024-290		2
	44-513-029		1		44-024-291		2
2	44-514-216	Weldment, frame, steps (stairway): COLA-5-56-20; COLA-5-56-32 COLA-5-56-44; COLA-5-56-56 COLA-5-68-20; COLA-5-68-32 COLA-5-68-44; COLA-5-68-56	2	7	44-524-063	Weldment, guard, lower handrail: COLA-5-56-20; COLA-5-56-32; COLA-5-56-44; COLA-5-56-56 COLA-5-68-20; COLA-5-68-32 COLA-5-68-44; COLA-5-68-56	4
	44-514-216		2		44-524-063		4
	44-514-217		2		44-524-069		4
	44-514-217		2		44-524-069		4
3	44-524-184	Weldment, guard, upper handrail: COLA-5-56-20; COLA-5-56-32 COLA-5-56-44; COLA-5-56-56 COLA-5-68-20; COLA-5-68-32 COLA-5-68-44; COLA-5-68-56	4	8	11209	Bolt, HHCS, ASTM A307, gr. A, z-plated, 1/2"-13 x 1 1/2"	4
	44-524-184		4	9	33012	Flat washer, low carbon, z-finish, 1/2"	8
	44-524-185		4	10	37030	Lock nut, Nylon insert, 1/2"-13	4
	44-524-185		4	11	11205	Hex bolt, gr. A, z-plated, 1/2"-13x1"	12
4	44-516-016	Assembly, handrail, pipe end	8	12	33625	Lock washer, medium split, plain, 1/2"	12
5	44-024-292	Guard, top handrail: COLA-5-56-20 COLA-5-56-32 COLA-5-56-44 COLA-5-56-56 COLA-5-68-20 COLA-5-68-20 COLA-5-68-44 COLA-5-68-56	2	13	33011	Flat washer, USS, plain, 1/2"	12
	44-024-293		2	14	11105	Hex bolt, gr. A, z-plated, 3/8"-16x1"	8
	44-024-294		2	15	37024	Nylon insert lock nut, gr. 2, z-finish, 3/8"-16	8
	44-024-295		2				
	44-024-296		2	16	44-024-118	Guard, bumper, adhesive backed: COLA-5-56-20; COLA-5-56-32 COLA-5-56-44; COLA-5-56-56 COLA-5-68-20; COLA-5-68-32 COLA-5-68-44; COLA-5-68-56	2
	44-024-297		2				2
	44-024-298		2				2
	44-024-299		2				2

Specifications: COLA-5-##-##

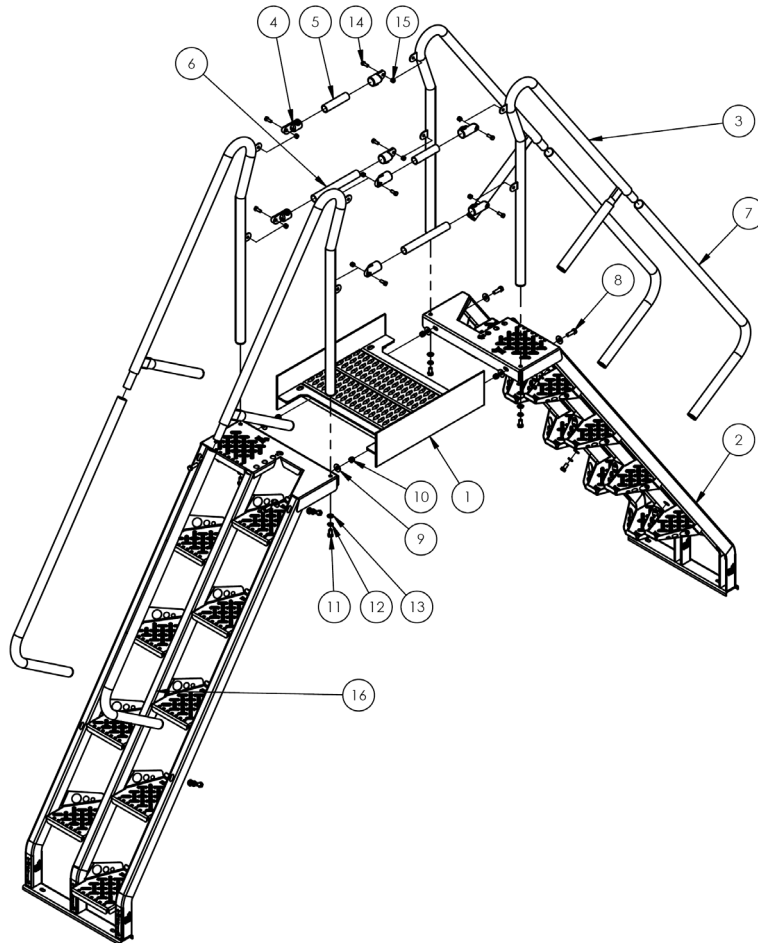
Dimensions, step angle, and net weight for each model beginning with COLA-2 are provided in the following diagrams and table. **The capacity of all models is 350 pounds (159.1kg).**



Model	A	B	C	D	E	F	G	Step angle	Net weight
COLA-5-56-20	102 ³ / ₄ " 261.0cm	42 ⁷ / ₁₆ " 107.8cm	21 ³ / ₈ " 54.3cm	18 ³ / ₄ " 47.6cm	24 ¹ / ₈ " 61.3cm	104" 264.2cm	106" 269.2cm	56° 0.95rad.	360 lb. 163.6 kg
COLA-5-56-32	102 ³ / ₄ " 261.0cm	42 ⁷ / ₁₆ " 107.8cm	28 ³ / ₈ " 72.1cm	18 ³ / ₄ " 47.6cm	31 ¹ / ₈ " 79.1cm	111" 281.9cm	113" 287.0cm	56° 0.95rad.	378 lb. 171.8 kg
COLA-5-56-44	102 ³ / ₄ " 261.0cm	42 ⁷ / ₁₆ " 107.8cm	35 ³ / ₈ " 89.9cm	18 ³ / ₄ " 47.6cm	38 ¹ / ₈ " 96.8cm	118" 299.7cm	120" 304.8cm	56° 0.95rad.	396 lb. 180 kg
COLA-5-56-56	102 ³ / ₄ " 261.0cm	42 ⁷ / ₁₆ " 107.8cm	49 ³ / ₈ " 125.4cm	18 ³ / ₄ " 47.6cm	52 ¹ / ₈ " 132.4cm	132" 335.3cm	134" 340.4cm	56° 0.95rad.	431 lb. 195.9 kg
COLA-5-68-20	102" 259.1cm	41 ⁷ / ₈ " 106.4cm	21 ³ / ₈ " 54.3cm	12 ³ / ₈ " 31.4cm	20" 50.8cm	76 ¹⁵ / ₁₆ " 195.4cm	77 ¹ / ₂ " 196.9cm	68° 1.16rad.	338 lb. 153.6 kg
COLA-5-68-32	102" 259.1cm	41 ⁷ / ₈ " 106.4cm	28 ³ / ₈ " 72.1cm	12 ³ / ₈ " 31.4cm	27" 68.6cm	83 ¹⁵ / ₁₆ " 213.2cm	84 ¹ / ₂ " 214.6cm	68° 1.16rad.	356 lb. 161.8 kg
COLA-5-68-44	102" 259.1cm	41 ⁷ / ₈ " 106.4cm	35 ³ / ₈ " 89.9cm	12 ³ / ₈ " 31.4cm	34" 86.4cm	90 ¹⁵ / ₁₆ " 231.0cm	91 ¹ / ₂ " 232.4cm	68° 1.16rad.	373 lb. 169.5 kg
COLA-5-68-56	102" 259.1cm	41 ⁷ / ₈ " 106.4cm	49 ³ / ₈ " 125.4cm	12 ³ / ₈ " 31.4cm	48" 121.9cm	104 ¹⁵ / ₁₆ " 266.5cm	105 ¹ / ₂ " 268.0cm	68° 1.16rad.	409 lb. 185.9 kg

Exploded View, Bill of Materials, and Specifications: COLA-6-##-## Models

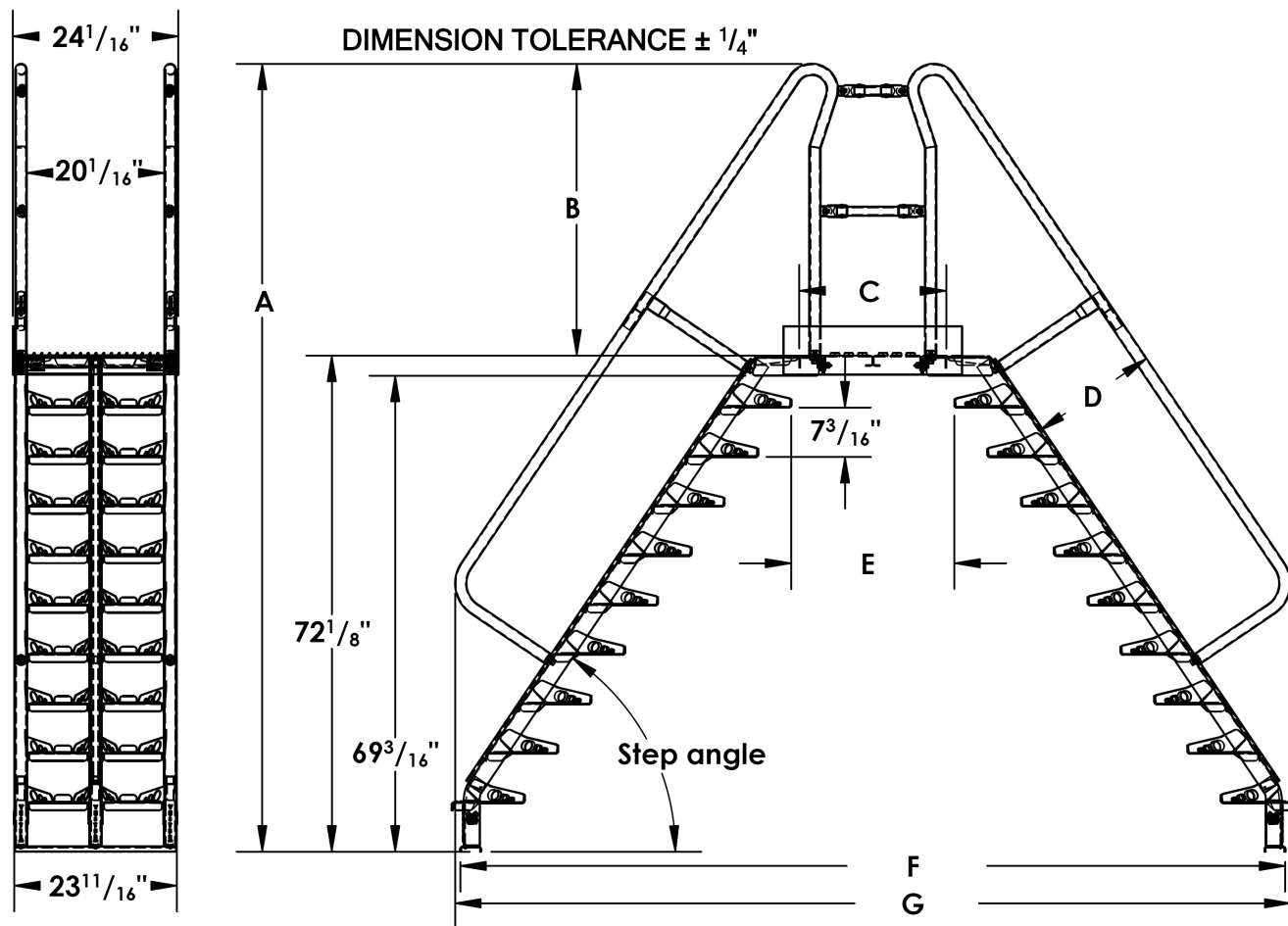
44-006-658



Item	Part no.	Description	Qty.	Item	Part no.	Description	Qty.			
1	44-513-026	Weldment, deck, platform: COLA-6-56-20; COLA-6-68-20	1	6	44-024-288	Guard, middle handrail: COLA-6-56-20; COLA-6-68-20	2			
	44-513-027	COLA-6-56-32; COLA-6-68-32	1		44-024-289	COLA-6-56-32; COLA-6-68-20	2			
	44-513-028	COLA-6-56-44; COLA-6-68-44	1		44-024-290	COLA-6-56-44; COLA-6-68-44	2			
	44-513-029	COLA-6-56-56; COLA-6-68-56	1		44-024-291	COLA-6-56-56; COLA-6-68-56	2			
2	44-514-214	Weldment, frame, steps (stairway): COLA-6-56-20; COLA-6-56-32	2	7	44-524-064	Weldment, guard, lower handrail: COLA-6-56-20; COLA-6-56-32;	4			
	44-514-214	COLA-6-56-44; COLA-6-56-56	2		44-524-064	COLA-6-56-44; COLA-6-56-56	4			
	44-514-215	COLA-6-68-20; COLA-6-68-32	2		44-524-070	COLA-6-68-20; COLA-6-68-32	4			
	44-514-215	COLA-6-68-44; COLA-6-68-56	2		44-524-070	COLA-6-68-44; COLA-6-68-56	4			
	3	44-524-184	Weldment, guard, upper handrail: COLA-6-56-20; COLA-6-56-32	4	8	11209	Bolt, HHCS, ASTM A307, gr. A, z-plated, 1/2"-13 x 1 1/2"	4		
44-524-184		COLA-6-56-44; COLA-6-56-56	4	9	33012	Flat washer, low carbon, z-finish, 1/2"	8			
44-524-185		COLA-6-68-20; COLA-6-68-32	4	10	37030	Lock nut, Nylon insert, 1/2"-13	4			
44-524-185		COLA-6-68-44; COLA-6-68-56	4	11	11205	Hex bolt, gr. A, z-plated, 1/2"-13x1"	12			
4	44-516-016	Assembly, handrail, pipe end	8	12	33625	Lock washer, medium split, plain, 1/2"	12			
5	44-024-292	Guard, top handrail: COLA-6-56-20	2	13	33011	Flat washer, USS, plain, 1/2"	12			
	44-024-293	COLA-6-56-32	2	14	11105	Hex bolt, gr. A, z-plated, 3/8"-16x1"	8			
	44-024-294	COLA-6-56-44	2	15	37024	Nylon insert lock nut, gr. 2, z-finish, 3/8"-16	8			
	44-024-295	COLA-6-56-56	2							
	44-024-296	COLA-6-68-20	2	16	44-024-119	Guard, bumper, adhesive backed: COLA-6-56-20; COLA-6-56-32	2			
	44-024-297	COLA-6-68-20	2					44-024-119	COLA-6-56-44; COLA-6-56-56	2
	44-024-298	COLA-6-68-44	2					44-024-126	COLA-6-68-20; COLA-6-68-32	2
	44-024-299	COLA-6-68-56	2					44-024-126	COLA-6-68-44; COLA-6-68-56	2

Specifications: COLA-6-##-##

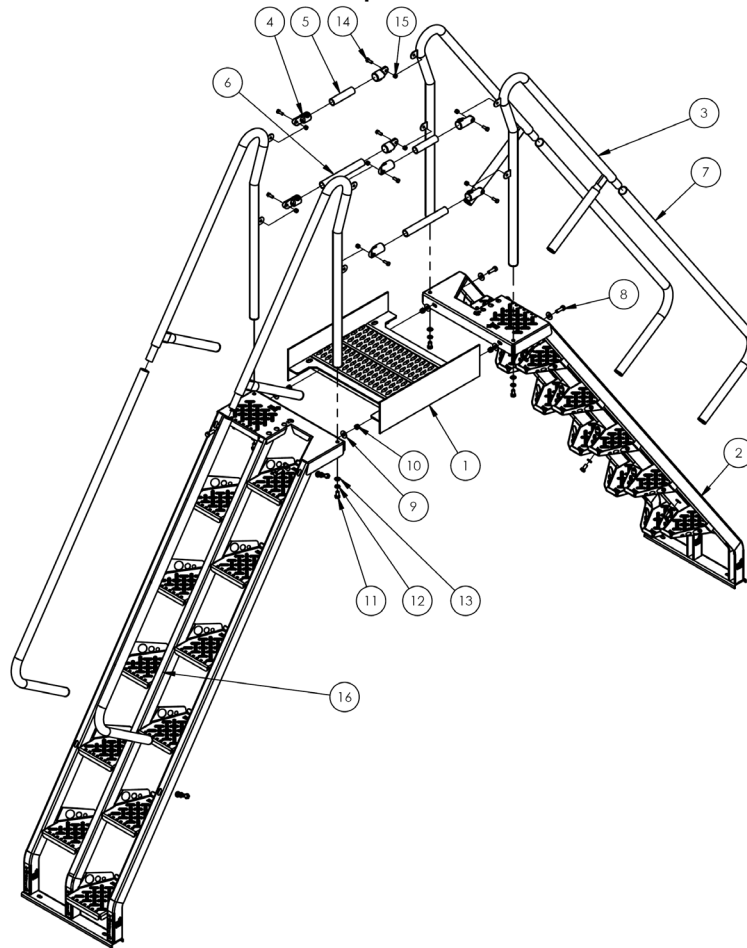
Dimensions, step angle, and net weight for each model beginning with COLA-2 are provided in the following diagrams and table. **The capacity of all models is 350 pounds (159.1kg).**



Model	A	B	C	D	E	F	G	Step angle	Net weight
COLA-6-56-20	114 1/2" 290.8cm	42 7/16" 107.8cm	21 3/8" 54.3cm	18 3/4" 47.6cm	23 3/4" 60.3cm	120 1/32" 304.9cm	121 1/2" 308.6cm	56° 0.95rad.	402 lb. 182.7 kg
COLA-6-56-32	114 1/2" 290.8cm	42 7/16" 107.8cm	28 3/8" 72.1cm	18 3/4" 47.6cm	30 3/4" 78.1cm	127 1/32" 322.7cm	128 1/2" 326.4cm	56° 0.95rad.	419 lb. 190.5 kg
COLA-6-56-44	114 1/2" 290.8cm	42 7/16" 107.8cm	35 3/8" 89.9cm	18 3/4" 47.6cm	37 3/4" 95.9cm	134 1/32" 340.4cm	135 1/2" 344.2cm	56° 0.95rad.	437 lb. 198.6 kg
COLA-6-56-56	114 1/2" 290.8cm	42 7/16" 107.8cm	49 3/8" 125.4cm	18 3/4" 47.6cm	51 3/4" 131.4cm	148 1/32" 376.0cm	149 1/2" 328.9cm	56° 0.95rad.	472 lb. 214.5 kg
COLA-6-68-20	114" 289.6cm	41 7/8" 106.4cm	21 3/8" 54.3cm	12 11/32" 31.4cm	19 3/4" 50.2cm	86 1/2" 219.7cm	87 1/4" 221.6cm	68° 1.16rad.	376 lb. 170.9 kg
COLA-6-68-32	114" 289.6cm	41 7/8" 106.4cm	28 3/8" 72.1cm	12 11/32" 31.4cm	26 3/4" 67.9cm	93 1/2" 237.5cm	94 1/4" 239.4cm	68° 1.16rad.	394 lb. 179.1 kg
COLA-6-68-44	114" 289.6cm	41 7/8" 106.4cm	35 3/8" 89.9cm	12 11/32" 31.4cm	33 3/4" 85.7cm	100 1/2" 255.3cm	101 1/4" 257.2cm	68° 1.16rad.	412 lb. 187.3 kg
COLA-6-68-56	114" 289.6cm	41 7/8" 106.4cm	49 3/8" 125.4cm	12 11/32" 31.4cm	47 3/4" 121.3cm	114 1/2" 290.8cm	115 1/4" 292.7cm	68° 1.16rad.	447 lb. 203.2 kg

Exploded View, Bill of Materials, and Specifications: COLA-7-##-## Models

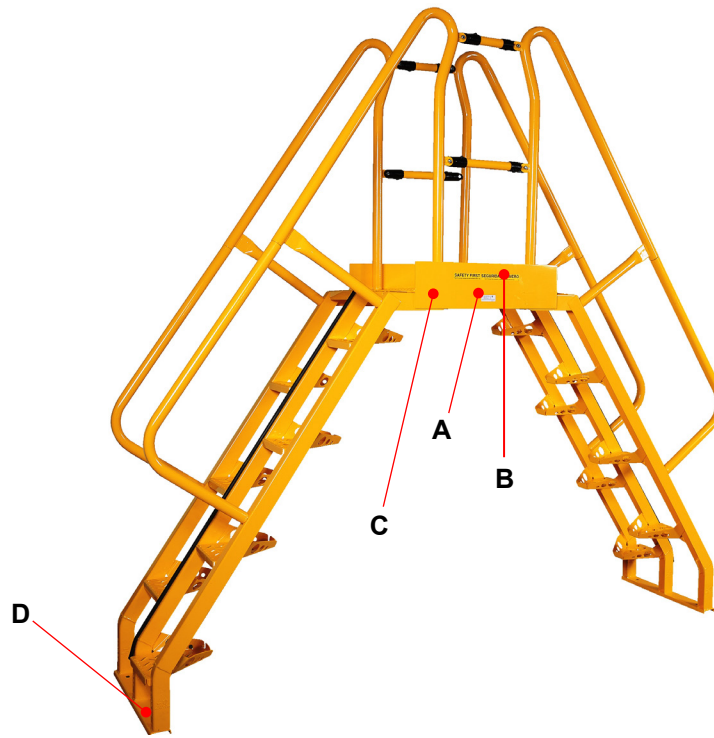
44-006-658



Item	Part no.	Description	Qty.	Item	Part no.	Description	Qty.
1	44-513-026	Weldment, deck, platform: COLA-7-56-20; COLA-7-68-20 COLA-7-56-32; COLA-7-68-32 COLA-7-56-44; COLA-7-68-44 COLA-7-56-56; COLA-7-68-56	1	6	44-024-288	Guard, middle handrail: COLA-7-56-20; COLA-7-68-20 COLA-7-56-32; COLA-7-68-20 COLA-7-56-44; COLA-7-68-44 COLA-7-56-56; COLA-7-68-56	2
	44-513-027		1		44-024-289		2
	44-513-028		1		44-024-290		2
	44-513-029		1		44-024-291		2
2	44-514-212	Weldment, frame, steps (stairway): COLA-7-56-20; COLA-7-56-32 COLA-7-56-44; COLA-7-56-56 COLA-7-68-20; COLA-7-68-32 COLA-7-68-44; COLA-7-68-56	2	7	44-524-065	Weldment, guard, lower handrail: COLA-7-56-20; COLA-7-56-32; COLA-7-56-44; COLA-7-56-56 COLA-7-68-20; COLA-7-68-32 COLA-7-68-44; COLA-7-68-56	4
	44-514-212		2		44-524-065		4
	44-514-213		2		44-524-071		4
	44-514-213		2		44-524-071		4
3	44-524-184	Weldment, guard, upper handrail: COLA-7-56-20; COLA-7-56-32 COLA-7-56-44; COLA-7-56-56 COLA-7-68-20; COLA-7-68-32 COLA-7-68-44; COLA-7-68-56	4	8	11209	Bolt, HHCS, ASTM A307, gr. A, z-plated, 1/2"-13 x 1 1/2"	4
	44-524-184		4	9	33012	Flat washer, low carbon, z-finish, 1/2"	8
	44-524-185		4	10	37030	Lock nut, Nylon insert, 1/2"-13	4
	44-524-185		4	11	11205	Hex bolt, gr. A, z-plated, 1/2"-13x1"	12
4	44-516-016	Assembly, handrail, pipe end	8	12	33625	Lock washer, medium split, plain, 1/2"	12
5	44-024-292	Guard, top handrail: COLA-7-56-20 COLA-7-56-32 COLA-7-56-44 COLA-7-56-56 COLA-7-68-20 COLA-7-68-20 COLA-7-68-44 COLA-7-68-56	2	13	33011	Flat washer, USS, plain, 1/2"	12
	44-024-293		2	14	11105	Hex bolt, gr. A, z-plated, 3/8"-16x1"	8
	44-024-294		2	15	37024	Nylon insert lock nut, gr. 2, z-finish, 3/8"-16	8
	44-024-295		2				
	44-024-296		2	16	44-024-120	Guard, bumper, adhesive backed: COLA-7-56-20; COLA-7-56-32 COLA-7-56-44; COLA-7-56-56 COLA-7-68-20; COLA-7-68-32 COLA-7-68-44; COLA-7-68-56	2
	44-024-297		2				2
	44-024-298		2				2
	44-024-299		2				2

LABELING DIAGRAM:

The unit should be labeled as shown in the diagrams. However, label content and location are subject to change so your product might not be labeled exactly as shown. Thoroughly photograph the unit when you first receive it as discussed in the *Record of Satisfactory Condition* portion of the *Inspections and Maintenance* section on p. 7-8. Make sure that your record includes a photograph of each label. Replace all labels that are, or later become, damaged, missing, or not easily readable (e.g. faded). To order replacement labels, contact the technical service and parts department online at http://www.vestilmfg.com/parts_info.htm. Alternatively, you may request replacement parts and/or service by calling (260) 665-7586 and asking the operator to connect you to the *Parts Department*.



A: Label 220 (on both sides)

MODEL/MODÉLO/MODÈLE _____	
STATIC CAPACITY (evenly distributed) _____	lbs.
LA CAPACIDAD CONSTANTE (distribuida uniformemente) _____	kgs.
CAPACITÉ STATIQUE (distribuée régulièrement) _____	kgs.
SERIAL/SERIE/SÉRIE _____	
<small>287 REV 0812</small>	

B: Label 821 (on both sides)

SAFETY FIRST	SEGURIDAD PRIMERO
<small>Read owners manual and all labels before using.</small>	<small>Lea el manual del propietario y todas las etiquetas antes del uso.</small>

C: Label 740 (on both sides)

⚠ WARNING	⚠ ADVERTENCIA	⚠ AVERTISSEMENT
<ul style="list-style-type: none"> • Do not use near live electric lines • Do not climb rails or lean over rails • Do not use if damaged or worn • Use ladder on level, smooth surfaces only 	<ul style="list-style-type: none"> • No use cerca de líneas eléctricas • No se suba o se asome en la barandilla • No use si esta danado o gastado • Use la escalera en superficies a nivel y lisas 	<ul style="list-style-type: none"> • Ne pas utiliser près des lignes électriques sous tension • Ne pas grimper sur ou vous pencher des rails • Ne pas utiliser si endommagée ou usagée • Utiliser l'échelle seulement sur des surfaces plates et lisses

D: Label 204 (on mounting plate of both stairways)

⚠ WARNING	⚠ ADVERTENCIA	⚠ AVERTISSEMENT
SECURE FRAME TO FLOOR	ASEGURE EL BASTIDOR AL PISO	FIXER SOLIDEMENT LE CADRE AU PLANCHER

LIMITED WARRANTY

Vestil Manufacturing Corporation (“Vestil”) warrants this product to be free of defects in material and workmanship during the warranty period. Our warranty obligation is to provide a replacement for a defective, original part covered by the warranty after we receive a proper request from the Warrantee (you) for warranty service.

Who may request service?

Only a warrantee may request service. You are a warrantee if you purchased the product from Vestil or from an authorized distributor AND Vestil has been fully paid.

Definition of “original part”?

An original part is a part used to make the product as shipped to the Warrantee.

What is a “proper request”?

A request for warranty service is proper if Vestil receives: 1) a photocopy of the Customer Invoice that displays the shipping date; AND 2) a written request for warranty service including your name and phone number. Send requests by one of the following methods:

<u>US Mail</u>	<u>Fax</u>	<u>Email</u>
Vestil Manufacturing Corporation 2999 North Wayne Street, PO Box 507 Angola, IN 46703	(260) 665-1339 <u>Phone</u> (260) 665-7586	info@vestil.com Enter “Warranty service request” in subject field.

In the written request, list the parts believed to be defective and include the address where replacements should be delivered. After Vestil receives your request for warranty service, an authorized representative will contact you to determine whether your claim is covered by the warranty. Before providing warranty service, Vestil will require you to send the entire product, or just the defective part (or parts), to its facility in Angola, IN.

What is covered under the warranty?

The warranty covers defects in the following original, dynamic parts: motors, hydraulic pumps, motor controllers, and cylinders. It also covers defects in original parts that wear under normal usage conditions (“wearing parts”), such as bearings, hoses, wheels, seals, brushes, and batteries.

How long is the warranty period?

The warranty period for original dynamic components is 1 year. For wearing parts, the warranty period is 90 days. Both warranty periods begin on the date Vestil ships the product to the Warrantee. If the product was purchased from an authorized distributor, the periods begin when the distributor ships the product. Vestil may, at its sole discretion, extend a warranty period for products shipped from authorized distributors by up to 30 days to account for shipping time.

If a defective part is covered by the warranty, what will Vestil do to correct the problem?

Vestil will provide an appropriate replacement for any *covered* part. An authorized representative of Vestil will contact you to discuss your claim.

What is not covered by the warranty?

The Warrantee (you) are responsible for paying labor costs and freight costs to return the product to Vestil for warranty service.

Events that automatically void this Limited Warranty.

- Misuse;
- Negligent assembly, installation, operation or repair;
- Installation/use in corrosive environments;
- Inadequate or improper maintenance;
- Damage sustained during shipping;
- Collisions or other accidents that damage the product;
- Unauthorized modifications: Do not modify the product IN ANY WAY without first receiving written authorization from Vestil.

Do any other warranties apply to the product?

Vestil Manufacturing Corp. makes no other express warranties. All implied warranties are disclaimed to the extent allowed by law. Any implied warranty not disclaimed is limited in scope to the terms of this Limited Warranty. Vestil makes no warranty or representation that this product complies with any state or local design, performance, or safety code or standard. Noncompliance with any such code or standard is not a defect in material or workmanship.

